

REV	DESCRIPTION OF REVISIONS	DATE	BY
A	ADD DURING NOTE	01/04/13	RDR

MAX. SIZE	14' WIDE
MAX. HEIGHT	8'0\"/>
DOOR WEIGHT	AS APPLICABLE
DESIGN LOADS	-23.8 PSF
TEST LOADS	+38.4 PSF
	+43.7 PSF
	-28.1 PSF
	+204.8 LBS/FT & -232.8 LBS/FT

FL

Amarr

THOMAS L. SHELMERDINE  
 No. 46673  
 STATE OF FLORIDA  
 PROFESSIONAL ENGINEER

Thomas L. Shelmerdine, P.E. (FL PE #0048579)  
 Structural Solutions, PC (FL Firm #29312)  
 5921-G W. Friendly Ave., Greensboro, North Carolina, NC 27410

DATE	11/13/09
DATE	11/13/09
DATE	11/13/09

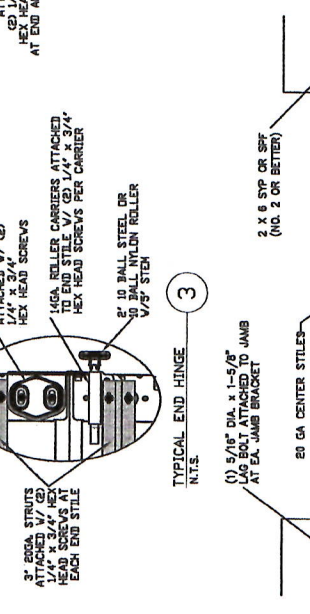
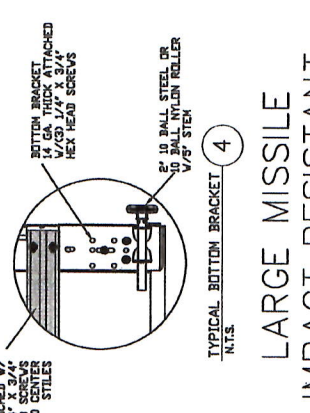
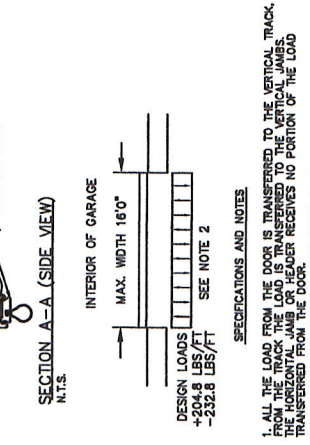
DRIVING NUMBER	ARC-6016-130-15-1
----------------	-------------------

SEE TABLE 2 ON PAGE 3 FOR RECOMMENDED SECTION CONFIGURATION

SEE TABLE 4 ON PAGE 3 FOR STILE PLACEMENTS

SEE TABLE 1 ON PAGE 3 FOR STRUT SPACING

VENTS PROVIDE 70 SQ. IN. FOR EACH 6\"/>



1. ALL THE LOAD FROM THE DOOR IS TRANSFERRED TO THE VERTICAL TRACK FROM THE TRACK. THE LOAD IS TRANSFERRED TO THE VERTICAL JAMBS. THE LOAD IS TRANSFERRED FROM THE TRACKS TO THE VERTICAL JAMBS.

2. EACH VERTICAL JAMB RECEIVES MAXIMUM DESIGN LOADS OF:

3. DOORS AND HARDWARE WILL BE DESIGNED, MANUFACTURED AND INSTALLED WITH STANDARDS AS SET FORTH BY ASMA.

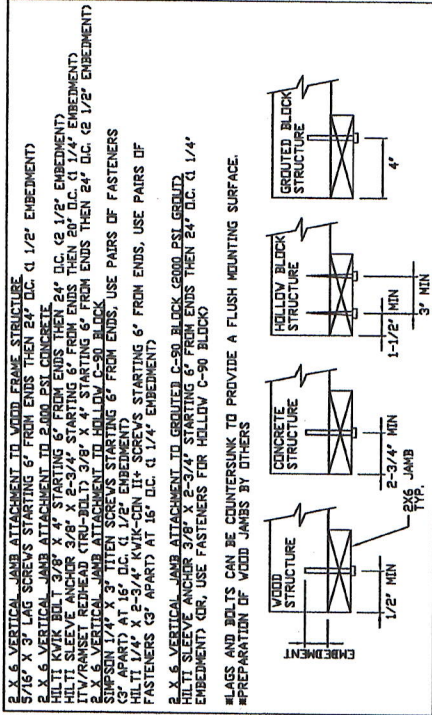
4. DOOR SECTIONS SHALL BE 25 GA. MIN. (0.019\"/>

THE METHOD OF TESTING WAS IN SUBSTANTIAL CONFORMANCE WITH THE PROCEDURE DESCRIBED IN ASTM E1300. ANALYSIS OF THE TEST RESULTS SHOWS THAT THE RESULTS SHOWN ON THE DRAWINGS WERE CALCULATED USING A WIND SPEED OF 175 MPH. THE FOLLOWING PARAMETERS (5 FEET OF DOOR WIDTH IN THE END ZONE, ROOF AT ANY SLOPE):

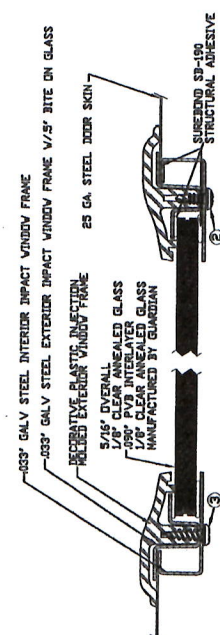
WIND SPEED (MPH)	168	152	145	138	133
EXPOSURE LEVEL	B	C	C	D	D
MEAN ROOF HEIGHT	30'	15'	25'	15'	25'

FL 13521.5

# WOOD JAMB ATTACHMENT TO STRUCTURE

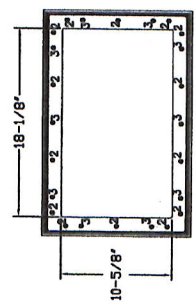


2. X-6 VERTICAL JAMB ATTACHMENT TO WOOD FRAME STRUCTURE  
 3/16" X 3" LAG SCREWS STARTING 6" FROM ENDS THEN 24" O.C. Q. 1/2" EMBEDMENT  
 HOLLOW BLOCK STRUCTURE TO 2" O.C. EMBEDMENT  
 HILTI BOLT 3/8" X 1 1/2" STARTING 6" FROM ENDS THEN 24" O.C. Q. 1/2" EMBEDMENT  
 HILTI SLEEVE ANCHOR 3/8" X 2-3/4" STARTING 6" FROM ENDS THEN 24" O.C. Q. 1/2" EMBEDMENT  
 HILTI/RAINFLET REINFORCED (TRU-BOLT) 3/8" X 4" STARTING 6" FROM ENDS THEN 24" O.C. Q. 1/2" EMBEDMENT  
 2. X-6 VERTICAL JAMB ATTACHMENT TO HOLLOW C-90 BLOCK  
 SUSPENSION 1/4" X 3" LITEN SCREWS STARTING 6" FROM ENDS, USE PAIRS OF FASTENERS  
 HILTI BOLT 3/8" X 1 1/2" STARTING 6" FROM ENDS, USE PAIRS OF FASTENERS  
 HILTI 1/4" X 2-3/4" KYLE-GEN THRU SCREWS STARTING 6" FROM ENDS, USE PAIRS OF FASTENERS 37" APART AT 16" O.C. Q. 1/4" EMBEDMENT  
 2. X-6 VERTICAL JAMB ATTACHMENT TO GROUTED C-90 BLOCK  
 HILTI SLEEVE ANCHOR 3/8" X 2-3/4" STARTING 6" FROM ENDS THEN 24" O.C. Q. 1/4" EMBEDMENT OR, USE FASTENERS FOR HOLLOW C-90 BLOCK  
 PREPARATION OF WOOD JAMBS BY OTHERS  
 WLAGS AND BOLTS CAN BE COUNTERSUNK TO PROVIDE A FLUSH MOUNTING SURFACE.

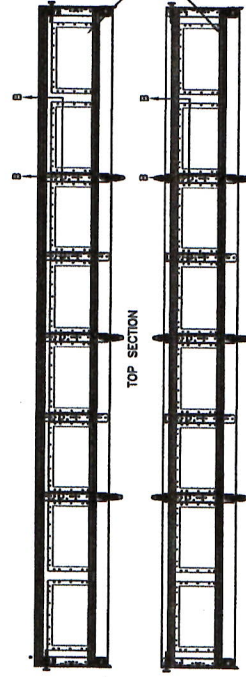


2. 3/16" X 1/2" SCREW - USED TO FASTEN INTERIOR IMPACT WINDOW FRAME TO THE STEEL INTERIOR IMPACT WINDOW FRAME
3. 1/16" X 1/2" SCREW - USED TO FASTEN DECORATIVE PLASTIC WELDED WINDOW FRAME TO THE ASSEMBLY

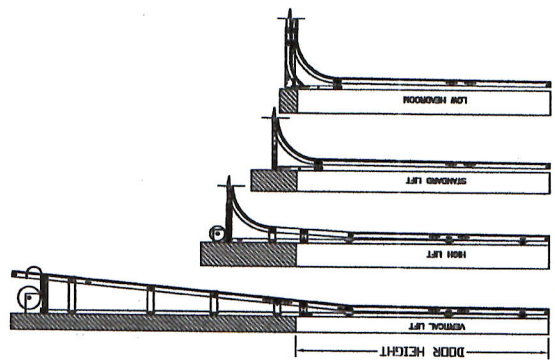
SECTION B-B IMPACT WINDOW DETAIL  
INTS.



IMPACT GLAZING FASTENER DETAIL  
INTS.



OPTIONAL SHORT PANEL GLAZED SECTION STRUT AND STILE LAYOUT



AVAILABLE TRACK CONFIGURATIONS  
INTS.

REV	DESCRIPTION OF REVISIONS	DATE	BY
A	ISSUED GLAZING NOTE	07/24/18	RLR



FL  
**Amarr**

Model #950 AMARR OAK SUDAMIT SERIES 1000 & 2000  
 Model #600 AMARR STRATFORD SERIES 1000 & 2000  
 Model #950 AMARR HERITAGE SERIES 1000 & 2000

SIZE	DRAWN BY	DATE	DRAWING NUMBER
B	CBT	11/13/20	IRC-6016-130-15-1

1/18 CAROLINA CURT VANTON-SALEN, NC. 27105  
 SHEET 2 OF 3

TABLE 1

Table with columns: DOOR HEIGHT, STRUT SPACING (BASED ON RECOMMENDED SECTION CONFIGURATION), and TOP. Rows list door heights from 6'0" to 14'0" and corresponding strut spacings for sections A through T.

ADDITIONAL STRUTS MAY BE ADDED TO DOOR WHEN GLAZED FOR COUNTERBALANCE PURPOSES.

TABLE 2

Table with columns: DOOR HEIGHT, SECTION HEIGHTS (#1 to #8), and SPICE. Rows list door heights from 6'0" to 14'0" and corresponding section heights.

TABLE 3

Table with columns: DOOR HEIGHT, TRACK ATTACHMENT (A through S), and SPICE. Rows list door heights from 6'0" to 14'0" and corresponding track attachment points.

ALL TRACK ATTACHMENT SPACING +/- .15" ALLOWED WITH 80% OR 80% SFF NO. 2 OR BETTER ONLY.

TABLE 4

Table with columns: Section, Panel Type, Width (ft), and Center Stud Locations (1st to 5th ft). Rows list sections 10'0" through 16'0" and their corresponding panel types and stud locations.

TABLE 5

Table with columns: Section, Panel Type, Width (ft), Max Design Loads Allowed (PSF), and Max Design Loads Allowed (PSF). Rows list sections 10'0" through 16'0" and their corresponding panel types and design loads.

Professional Engineer Seal for Thomas L. Shelburne, No. 48579, State of Florida, License No. 48579. Includes contact information for Thomas L. Shelburne, PE, FL, PE #2048579.



MODEL #600 AMARR OAK SUMMIT SERIES 1000 & 2000  
MODEL #650 AMARR STRATFORD SERIES 1000 & 2000  
MODEL #650 AMARR HERITAGE SERIES 1000 & 2000

SIZE DRAWN BY: BKG DATE: 11/13/00  
CHECKED BY: CST DATE: 11/13/00  
REPRESENTATIVE: RICHARD WINSTON-SALEN, N.C. 27165  
DRAWING NUMBER: RC-6016-130-15-1  
SHEET 3 OF 3